

Frozen Granita Dispenser with 3 bowls, mechanical control and lighted panel

ITEM # _____

MODEL # _____

NAME # _____

SIS # _____

AIA # _____


562530 (IPRO3MLR290)

Frozen Granita Dispenser with 3X11 l insulated bowls, mechanical control and lighted panel, R290

Short Form Specification

Item No. _____

Frozen granita dispenser with 3 bowls; the ITANK™ Technology prevents ice accumulation on the outer side of the bowl and the bowl shape allows a natural mixing action to ensure an optimum consistency of the product. Customizable lid merchandiser and back graphic. Mechanical keypad allows for setting of cooling and defrost modes. Front illuminated panel provides customers with the opportunity to advertise their product and maximise impulse buying. Electromechanical control. Sliding drip tray.

Main Features

- Ideal for the production of slush.
- The insulated tank guarantees higher cooling efficiency and lower effect of the external temperature on product's preparation and maintenance time reducing condense and draining; it is the best solution in hot climate conditions.
- The ITANK™ Technology prevents ice accumulation on the outer side of the bowl, reducing condensation and increasing the cooling power of the machine.
- Bowl shape allows a natural mixing action to ensure an optimum consistency of the product.
- Customizable lid merchandiser and back graphic.
- Ideal for operators who want an innovative and distinctive equipment. Mechanical keypad allows for setting of cooling and defrost modes.
- The front illuminated panel provides customers with the opportunity to advertise their product and maximise impulse buying.

Construction

- Electromechanical control.
- Sliding drip tray.

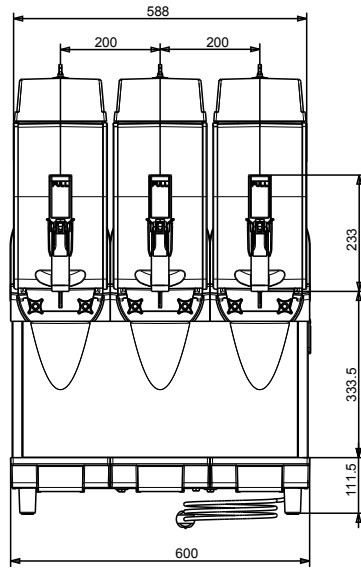
APPROVAL: _____



Electrolux
PROFESSIONAL

Frozen Frozen granita dispenser with 3 bowls, mechanical control and lighted panel

Front



Electric

Supply voltage:

562530 (IPRO3MLR290) 220-240 V/1 ph/50 Hz

Electrical power max.:

1.4 kW

Key Information:

External dimensions, Width: 600 mm

External dimensions, Depth: 580 mm

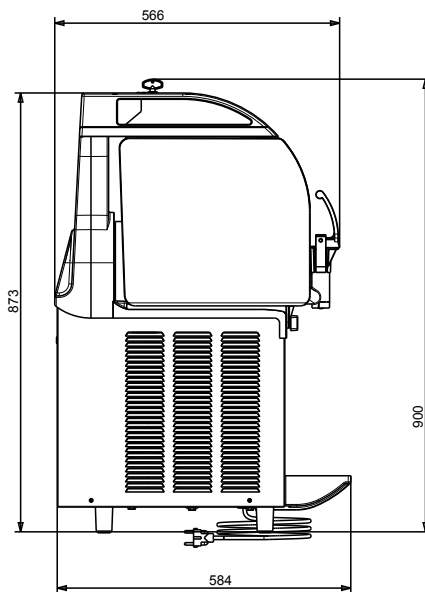
External dimensions, Height: 870 mm

Net weight: 82 kg

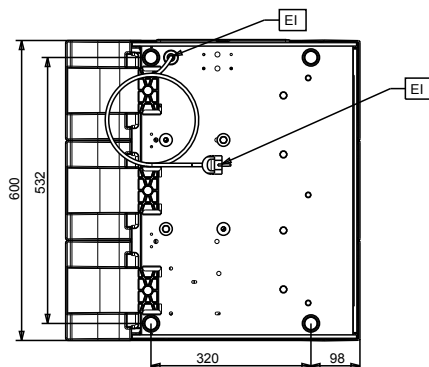
Sustainability

Refrigerant type: R290

Side



Top



Frozen
Frozen granita dispenser with 3 bowls, mechanical control and lighted panel
The company reserves the right to make modifications to the products without prior notice. All information correct at time of printing.

2024.04.12